

# LD DRIVER SERIES ( CW )

## Key Features

- Easy to install LD
- Compact size
- Accessible switches to select the main modes & operations
- Monitor function for LD drive current and LD temperature
- Customization for various LDs

## Applications

- Telecom/ Datacom
- Biomedical industry and laboratory
- Metrology
- Lithography
- High-speed printing
- Thermal treatment
- ...

## Contact information

### Trimatiz Limited

801, La Pacifique B,  
4-7-12 Minamiyawata, Ichikawa,  
272-0023 Chiba, JAPAN

TEL: +81-47-379-4400  
FAX: +81-47-370-0010  
E-mail: info@trimatiz.com  
URL: www.trimatiz.com

Product specifications and descriptions in this document subject to change without notice.

Printed in Japan, October 2, 2014  
No. CWLDDC-014EN



Trimatiz provides a series of LaserDiode (LD) drivers for continuous wave (CW) or various pulse widths. Customization is available for specific LDs as well as pulse widths and patterns.

## CW LD driver

Besides the fact that butterfly type LDs are easy to install, the CW LD driver is also easy to use. The main functions are accessible from the driver circuit itself by selectable slide switches.

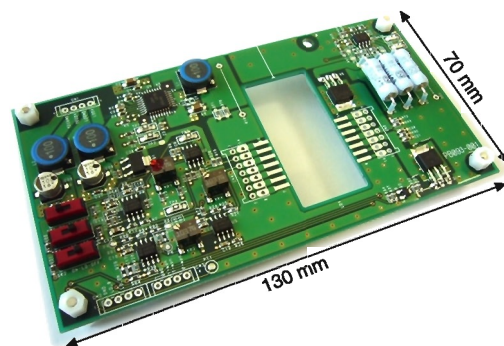
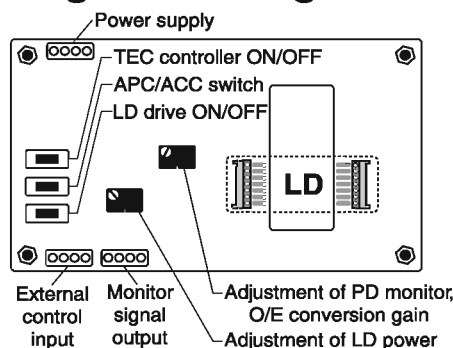
The main characteristics are:

- A single supply operation (+ 5 V),
- A built-in Thermo-Electric Cooler(TEC) controller,
- An easy access on the driver circuit itself of the LD drive On/Off, APC(automatic power control)/ ACC(automatic current control) mode, TEC controller On/Off switches as well as the tunable optical power by a potentiometer (in APC mode),
- Monitor functions of the LD drive current and LD temperature,
- Remote control by external signals of the LD drive On/Off and of the optical power (in ACC mode).

## Specifications

	LD driver (CW)
Maximum LD drive current	1.8 A typ.
Maximum TEC drive current	2.0 A typ.
Current range of monitor PD	100 $\mu$ A ~ 3000 $\mu$ A
LD temperature monitor	2.5 V at 25 °C
LD current monitor	0.5 A/V
Supply voltage	+ 5.0 V $\pm$ 0.25 V
Operating ambient temperature	15 °C ~ 35 °C
Dimensions	W 130 x D 70 x H 19.5 (mm)

## Design and integration



## Ordering information

LDD - CW - 002

CW/Pulsed LD driver	Pulse width
CW - CW LD driver	002 - CW LD driver

For specific requests and customization, please contact us.